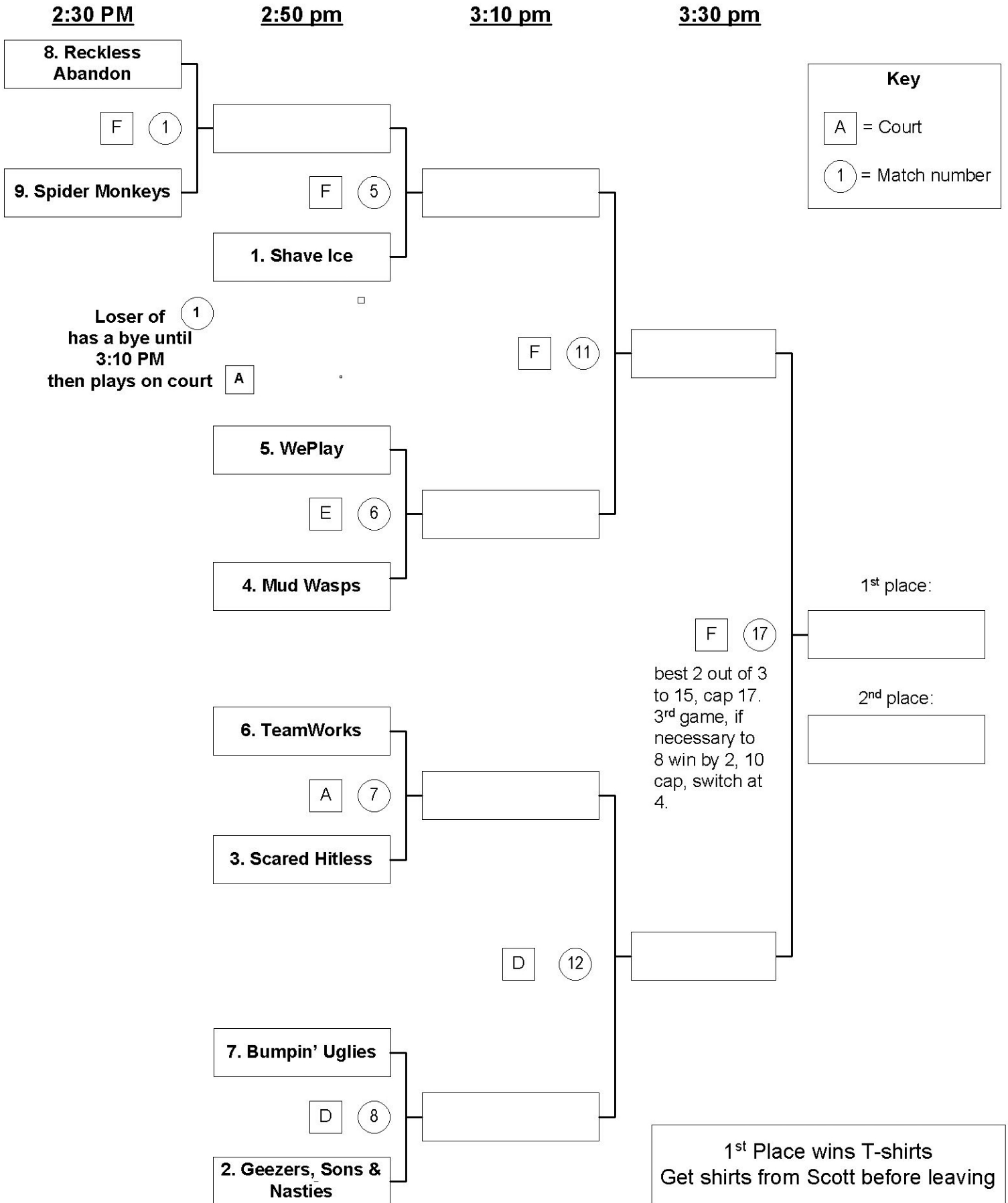


# Middle 1 Division Tournament, Fall 2018

All matches are one game to 25 points, 27 cap - switch sides at 13.

(except in 2 out of 3 game matches to 15, 17 cap - switch at 8; 3<sup>rd</sup> game to 8, 10 cap - switch at 4)



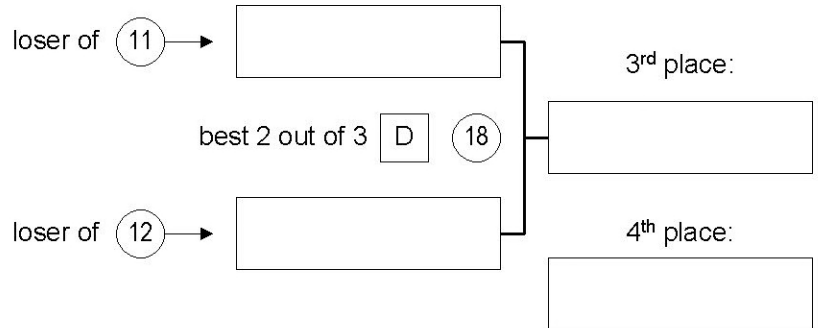
# Middle 1 Division Tournament, Fall 2018

All matches are one game to 25 points, 27 cap - switch sides at 13.

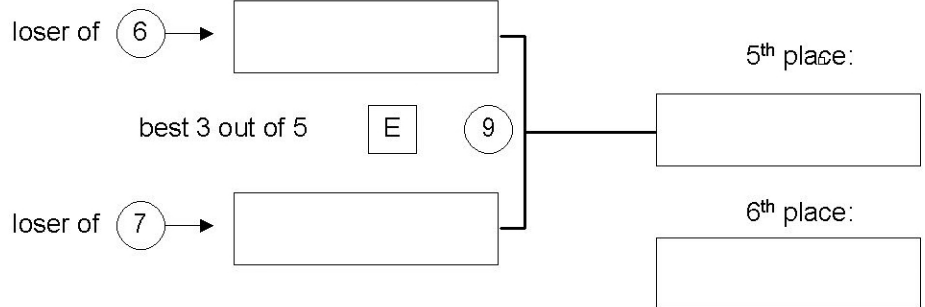
(except in 2 out of 3 game matches to 15, 17 cap - switch at 8; 3<sup>rd</sup> game to 8, 10 cap - switch at 4 and in 3 out of 5 game matches to 25, 27 cap-switch sides at 13; 3<sup>rd</sup> game to 15, 17 cap-switch at 8)

3:10 pm

3:30 pm



3:10 pm



# Middle 1 Division Tournament, Fall 2018

All matches are one game to 15 points, 17 cap - switch sides at 8.  
 Round Robin - Keep track of all scores to determine places by point differential  
 All games on Court A in upper west gym.

loser of (1) → Team A:

loser of (8) → Team B:

loser of (5) → Team C:

3:10 pm    3:30 pm    3:45 pm    4:00 pm    4:15 pm    4:30 pm  
 A vs. B    A vs. C    B vs. C    A vs. B    A vs. C    B vs. C

A	<input type="text"/>
B	<input type="text"/>

A	<input type="text"/>
C	<input type="text"/>

A	<input type="text"/>
B	<input type="text"/>

A	<input type="text"/>
C	<input type="text"/>

Total A	<input type="text"/>
Total Opp.	<input type="text"/>
Differ.	<input type="text"/>

B	<input type="text"/>
A	<input type="text"/>

B	<input type="text"/>
C	<input type="text"/>

B	<input type="text"/>
A	<input type="text"/>

B	<input type="text"/>
C	<input type="text"/>

Total B	<input type="text"/>
Total Opp.	<input type="text"/>
Differ.	<input type="text"/>

C	<input type="text"/>
A	<input type="text"/>

C	<input type="text"/>
B	<input type="text"/>

C	<input type="text"/>
A	<input type="text"/>

C	<input type="text"/>
B	<input type="text"/>

Total C	<input type="text"/>
Total Opp.	<input type="text"/>
Differ.	<input type="text"/>

Place scores in boxes.

Add totals for your points and your opponents.

Team with the highest positive differential wins 7<sup>th</sup> place,  
 next highest is 8<sup>th</sup> place and lowest is 9<sup>th</sup> place.